



ScuL-Sense™ Stainless Steel Thermistor Sensor

Liquid Level Detection and Overfill Protection

Featuring Dynacheck® – Automatic and Continuous Self-Checking Circuitry



Thermistor
Chemical
Sensor

DESCRIPTION

The Stainless Steel Thermistor Sensors are designed for liquid chemical and petroleum overfill prevention and point level detection. They are used in storage tanks, tank trucks and other vessels during loading operations

Three models are available for different climate/product operating conditions; the SP-BLU(SS) for wide ambient temperature operation and unheated product, the SP-BLH(SS) for heated product, and the SP-BL(SS) for standard temperatures.

FEATURES

Scully Stainless Steel Thermistor Sensor are part of an automatic and continuous self-checking system you can count on. Scully Thermistor Sensors offer these advantages:

■ Maximum safety with Dynacheck® - automatic and continuous self-checking circuitry - when used with Scully Controllers.

Sensor models SP-BLU(SS) and SP-BL(SS) are compatible with the Intellitrol® Control Monitor. Both these sensors plus the SP-BLH(SS) sensor model are compatible with Scully's single point ST-15 Rack Control Monitor.

In tank farms, multiple storage tanks are protected with either sensor model using the ST-15-WX Control Monitor to provide individual alarm and relay outputs for each sensing point.

- Versatile point liquid level sensing for use in storage tanks, tank trucks and other applications.
- AISI 316 stainless steel construction used for corrosion resistance.
- Functions within a wide range of ambient temperatures in a variety of liquid chemicals.
- Dependable solid state construction.

SAFETY

Stainless Steel Thermistor Sensors incorporate Scully's unique and exclusive Dynacheck® circuitry when connected to Scully monitoring equipment. Using pulsed signals which simulate a wet or "unsafe" condition, the monitor automatically and continuously checks the entire system operation (controller, wiring,

connectors and sensors) for faults 30 times per second. If liquid comes in contact with the sensor, or in the event a fault occurs, the pulsed signals cease and the monitor signals for immediate shutdown of the loading operation. No operator involvement is needed!



IEC 61508 SIL 3 Capable

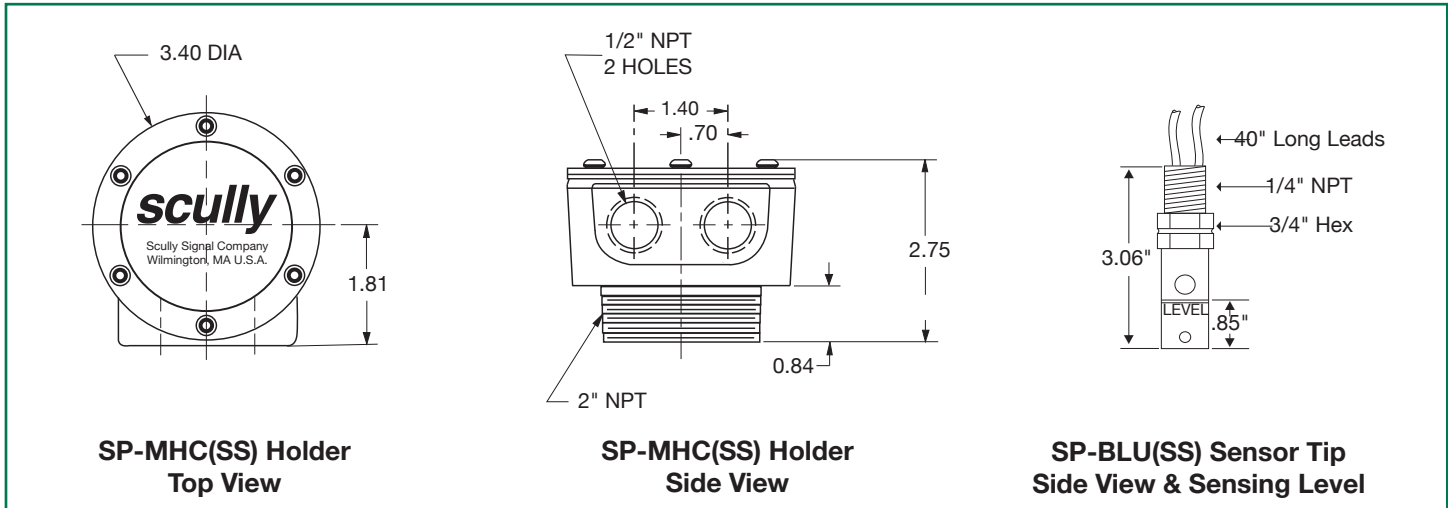
SENSOR HOLDER

The Scully SP-MHC(SS) sensor holder is designed for mounting in a 2" NPT tapping. This allows for convenient mounting in both storage tanks and tank truck vehicles. The fixed-length stainless

steel sensors thread into the holder using a 3/8" X 1/4" reducing coupling and the appropriate length of 3/8" stainless steel pipe. Consult Scully for assistance.



Liquid Level Sensor for The Chemical Industries



TECHNICAL SPECIFICATIONS

Temperature Range:

- SP-BL 0° to +130° F (-18° to +55° C).
- SP-BLU -40° to +120° F (-40° to +48° C).
- SP-BLH 0° to +200° F (-18° to +93° C).

Product Range:

Group D hazardous materials and nonhazardous materials which are compatible with thermistor sensing technology. Consult the factory with specific questions.

Exposed Materials:

316 Stainless steel, borosilicate (Pyrex) glass sensing element and Teflon® seal.

Detection Level:

Fixed, refer to diagram. The sensor may be adjusted to any length using 3/8" stainless steel pipe and a 3/8 x 1/4" reducing coupling.

Level Repeatability:

±1/16" (1 mm)

Electrical Leads:

Two color coded, 36" Long Teflon® insulated wires.

Cable Entry:

Two holes, 1/2" NPT threads.

Weight:

Sensor: 3.7 oz (104gs)
Holder: 2.8 lbs (1.27 kg)

Approvals:

SIL Capable

North America:

The sensor is intrinsically safe for mounting in Class I, Division 1, Groups C and D Hazardous location in accordance with Scully Control unit approval ratings



ORDERING INFORMATION

Description	Part Number
SP-BL(SS) Stainless Steel Thermistor Sensor Standard Temperature	07834
SP-BLU(SS) Stainless Steel Thermistor Sensor for Low Temperature	07837
SP-BLH(SS) Stainless Steel Thermistor Sensor for Heated Product	07836
SP-MHC(SS) Stainless Steel Thermistor Sensor Holder, 2" NPT X 3/8" NPT	08587
Replacement Sensor Holder Cap	31605
Replacement Sensor Holder Gasket	31606

Copyright © 2016 Scully Signal Company. Dynacheck, Dynamic Self-Checking, Dynamic Self-Testing, Faylsafe, IntelliCheck, Intellitrol are registered trademarks of Scully Signal Company. All Rights Reserved. Specifications are subject to change without notice.

SIMRIZ® is a registered trademark of FREUDENBERG-NOK. Pyrex® is a registered trademark of Corning

67102
July 2020



Scully Signal Company
70 Industrial Way
Wilmington, MA 01887, USA
800 272 8559 • sales@scully.com

Scully Systems Europe NV
Maanstraat 25
2800 Mechelen, Belgium
+32 (0) 15 56 00 70 • info@scully.be

Scully UK Ltd
Meridian House, Unit 33
37 Road One Winsford Industrial Estate,
Winsford Cheshire CW7 3QG, UK
+44 (0) 1606 553805 • sales@scullyuk.com

