

EXISTING INSTALLATIONS using SCULLY Model WL 140 Installation Tool

1. Make certain identification of the vent pipe.
2. Remove the tank plug or gauge.
3. Set up installation tool as in **Figure 1** by adding or removing sections so that **stud (A)** is centered on the vent pipe when **post (B)** is lying across center of opening. Tighten all screws.
4. If installing a 1-1/2" WL 101 place washer on WHISTLER and push down until tight on body.
5. Place WHISTLER on stud of tool with pointed wire loop at right angles to length of tool as shown in **Figure 2**. Make sure unit is snugly on tool, spread slotted stud if necessary.
6. Insert whistle and tool in tank as shown in **Figure 3**.
7. Point handle at center of vent pipe and lift up, keeping handle parallel with top of tank as shown in **Figure 4**. You should be able to feel the WHISTLER entering the vent pipe. Pull up firmly on handle.
8. Push down on tool to disengage it from the WHISTLER. Remove tool and replace plug or gauge.
9. To test, blow into fill pipe. You should be able to hear the whistle clearly at the vent pipe.

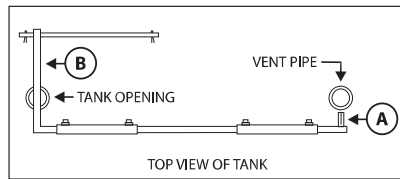


FIG 1
SET UP TOOL, TIGHTEN ALL SCREWS

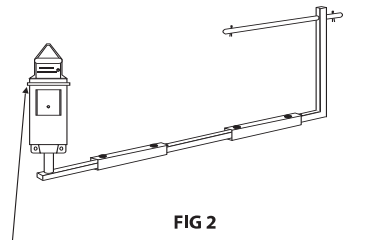


FIG 2
PLACE WHISTLER ON TOOL
THIS WASHER USED ON 1-1/2 WL-101 WHISTLER ONLY

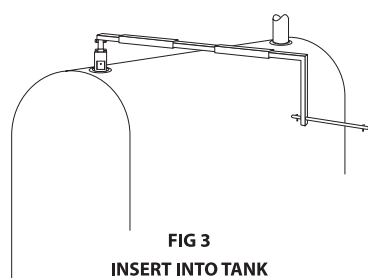


FIG 3
INSERT INTO TANK

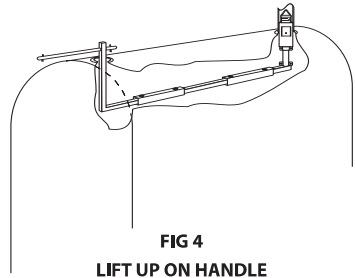


FIG 4
LIFT UP ON HANDLE

EXISTING INSTALLATIONS using SCULLY Model WL 140 Installation Tool

1. Make certain identification of the vent pipe.
2. Remove the tank plug or gauge.
3. Set up installation tool as in **Figure 1** by adding or removing sections so that **stud (A)** is centered on the vent pipe when **post (B)** is lying across center of opening. Tighten all screws.
4. If installing a 1-1/2" WL 101 place washer on WHISTLER and push down until tight on body.
5. Place WHISTLER on stud of tool with pointed wire loop at right angles to length of tool as shown in **Figure 2**. Make sure unit is snugly on tool, spread slotted stud if necessary.
6. Insert whistle and tool in tank as shown in **Figure 3**.
7. Point handle at center of vent pipe and lift up, keeping handle parallel with top of tank as shown in **Figure 4**. You should be able to feel the WHISTLER entering the vent pipe. Pull up firmly on handle.
8. Push down on tool to disengage it from the WHISTLER. Remove tool and replace plug or gauge.
9. To test, blow into fill pipe. You should be able to hear the whistle clearly at the vent pipe.

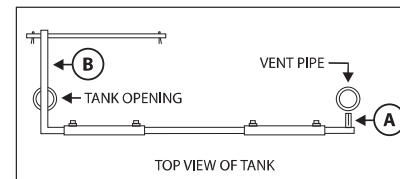


FIG 1
SET UP TOOL, TIGHTEN ALL SCREWS

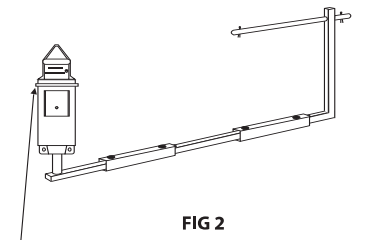


FIG 2
PLACE WHISTLER ON TOOL
THIS WASHER USED ON 1-1/2 WL-101 WHISTLER ONLY

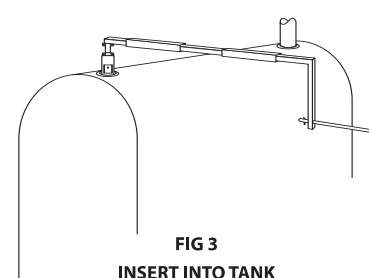


FIG 3
INSERT INTO TANK

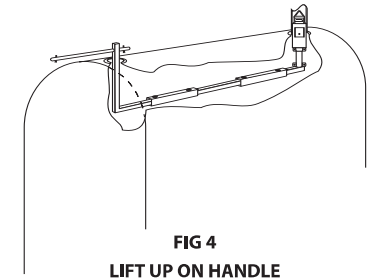


FIG 4
LIFT UP ON HANDLE

FORM 60226 Rev. D Side 2



Scully Signal Company

Complete Fuel Oil Delivery Systems

ISO 9001 registered

70 Industrial Way • Wilmington MA 01887-3479 USA • www.scully.com • sales@scully.com
phone: (617) 692-8600 • toll free phone: 800-2-SCULLY (728559) • fax: (617) 692-8620



Scully Signal Company

Complete Fuel Oil Delivery Systems

ISO 9001 registered

70 Industrial Way • Wilmington MA 01887-3479 USA • www.scully.com • sales@scully.com
phone: (617) 692-8600 • toll free phone: 800-2-SCULLY (728559) • fax: (617) 692-8620

FORM 60226 Rev. D Side 2

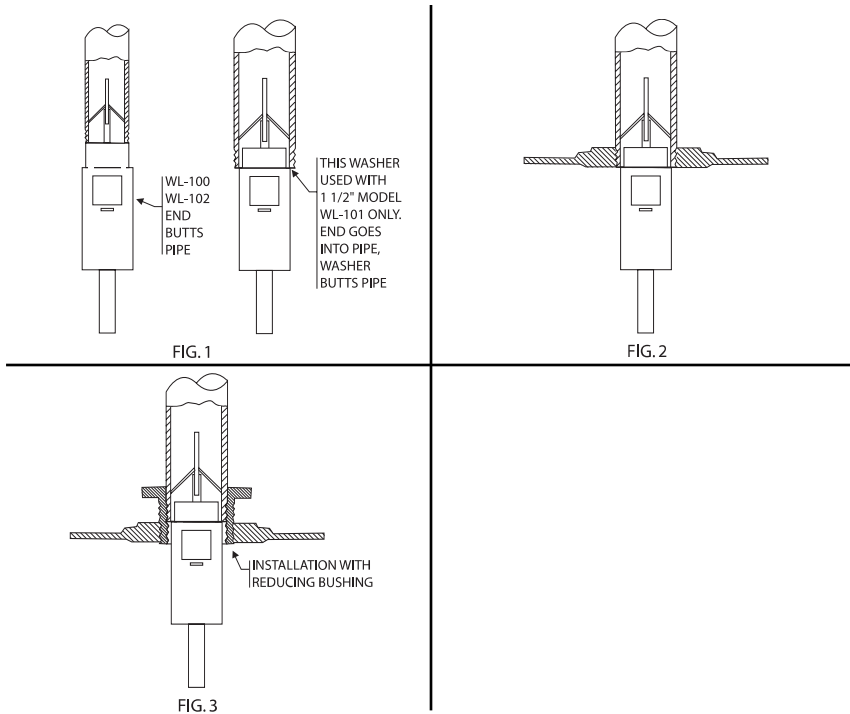
SCULLY WHISTLER

Vent Pipe Size	Use Model
1"	WL 170
1-1/4"	WL 100
1-1/2"	WL 101
2"	WL 102

The WHISTLER may be used for both new installations and in existing tanks which have been piped without a signal. Be sure and select the proper model to fit the vent pipe. The whistle stem is sized for 275 gallon vertically mounted tanks. Cutting of the whistle stem for horizontal tanks is not recommended.

NEW INSTALLATIONS

1. Place washer over guide and clutch spring and push down on body until tight (WL 101 only).
2. Insert WHISTLER into vent pipe as far as possible as shown in **Figure 1**. Screw vent pipe into tank flange and continue normal piping as in **Figure 2**.
3. If tank opening is larger than vent pipe, screw proper reducing bushing onto pipe first and install WHISTLER as above, as shown in **Figure 3**.



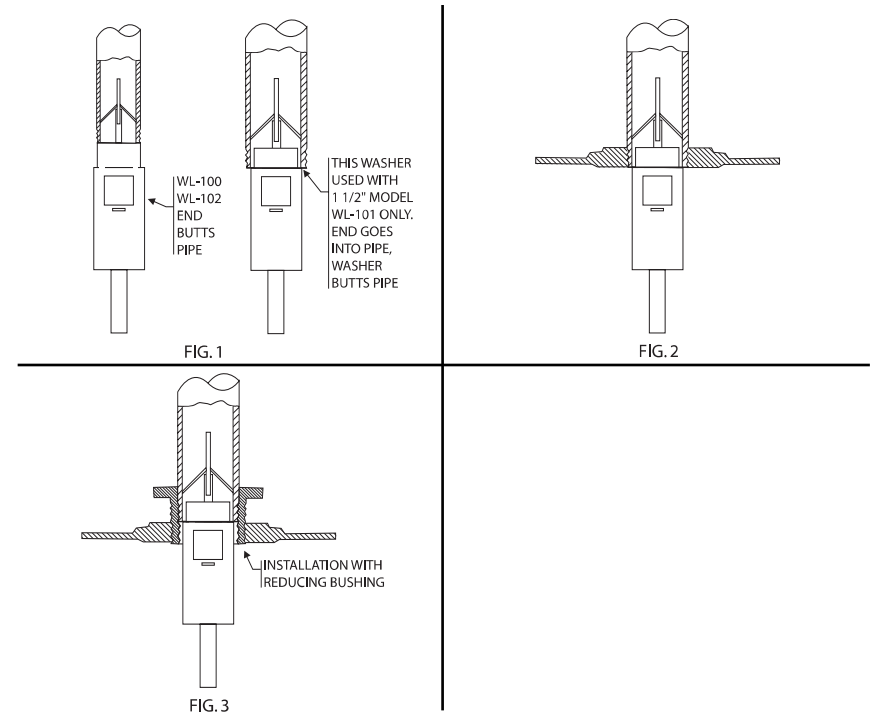
SCULLY WHISTLER

Vent Pipe Size	Use Model
1"	WL 170
1-1/4"	WL 100
1-1/2"	WL 101
2"	WL 102

The WHISTLER may be used for both new installations and in existing tanks which have been piped without a signal. Be sure and select the proper model to fit the vent pipe. The whistle stem is sized for 275 gallon vertically mounted tanks. Cutting of the whistle stem for horizontal tanks is not recommended.

NEW INSTALLATIONS

1. Place washer over guide and clutch spring and push down on body until tight (WL 101 only).
2. Insert WHISTLER into vent pipe as far as possible as shown in **Figure 1**. Screw vent pipe into tank flange and continue normal piping as in **Figure 2**.
3. If tank opening is larger than vent pipe, screw proper reducing bushing onto pipe first and install WHISTLER as above, as shown in **Figure 3**.



Scully Signal Company

Complete Fuel Oil Delivery Systems

ISO 9001 registered

70 Industrial Way • Wilmington MA 01887-3479 USA • www.scully.com • sales@scully.com
 phone: (617) 692-8600 • toll free phone: 800-2-SCULLY (728559) • fax: (617) 692-8620

FORM 60226 Rev. D. Side 1



Scully Signal Company

Complete Fuel Oil Delivery Systems

ISO 9001 registered

70 Industrial Way • Wilmington MA 01887-3479 USA • www.scully.com • sales@scully.com
 phone: (617) 692-8600 • toll free phone: 800-2-SCULLY (728559) • fax: (617) 692-8620

FORM 60226 Rev. D. Side 1