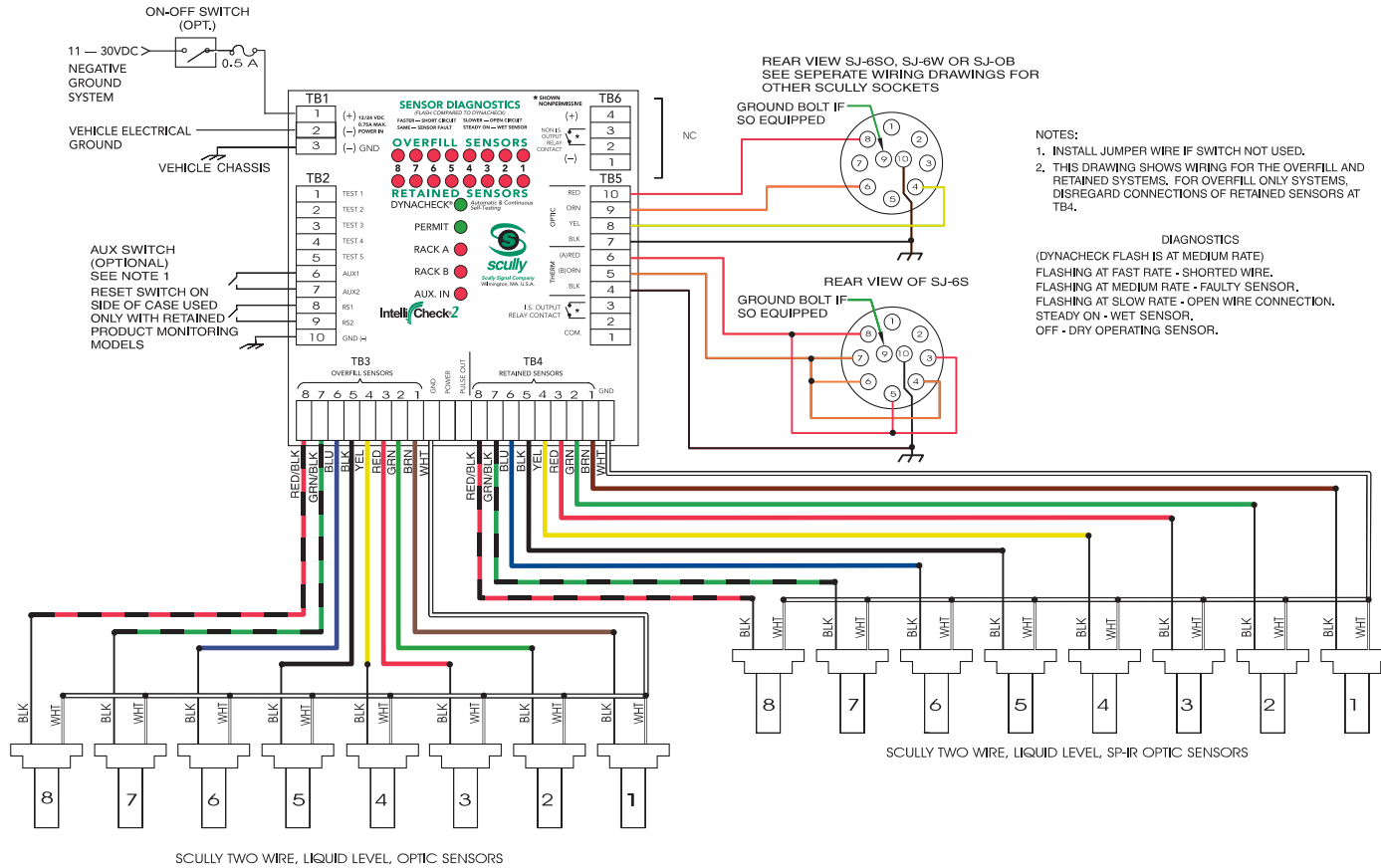




IntelliCheck2

Two-Wire Wiring Pictorial



NOTES:
1. INSTALL JUMPER WIRE IF SWITCH NOT USED.
2. THIS DRAWING SHOWS WIRING FOR THE OVERFILL AND RETAINED SYSTEMS. FOR OVERFILL ONLY SYSTEMS, DISREGARD CONNECTIONS OF RETAINED SENSORS AT TB4.

DIAGNOSTICS
(DYNACHECK FLASH IS AT MEDIUM RATE)
FLASHING AT FAST RATE - SHORTED WIRE,
FLASHING AT MEDIUM RATE - FAULTY SENSOR,
FLASHING AT SLOW RATE - OPEN WIRE CONNECTION,
STEADY ON - WET SENSOR,
OFF - DRY OPERATING SENSOR.

OTHER SCULLY SOCKET STYLES

