

Plug and Cable Assembly w/Sculcon Series Junction Box

ELECTRONIC
PRODUCT
LINE

For Safe and Reliable Rack to Vehicle Connection



Featuring Dynacheck® – Automatic and Continuous Self-Checking Circuitry

DESCRIPTION

Scully plugs are made of heavy duty molded polyurethane with stainless steel contacts. The fuel resistant cables are available in 30' coiled or 20' straight styles. Scully plugs and cables are the product of years of industry experience and offer durable, efficient operation. They are designed for use only with the intrinsically safe output circuits of Scully's ST-35, ST-15 and Intellitrol®.

Scully Plugs and Cables are used to connect the Scully loading rack control monitor to the vehicle mounted socket. The plugs and cables are the pathway for the control unit/sensor signals which monitor the status of overfill prevention, electro-static grounding and vehicle identification during loading operations.



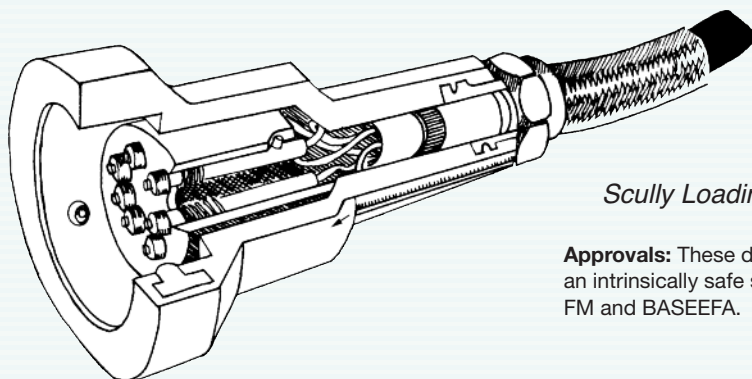
Plug and Cable Assemblies

FEATURES AND BENEFITS

- Extremely rugged design which can withstand harsh environments and mishandling.
- Non-removable socket locator pins fitted directly into the plug housing.
- Permanent socket locator pins that won't loosen or back out.
- Internal cable retention clamp to prevent cable pull-out or twisting.
- Molded glass-reinforced, polycarbonate contact block with positive locator keyways for easy disassembly and/or re-assembly.
- Molded arrow on plug housing for easy visual alignment with socket.
- Stainless steel electrical contact, spring loaded to insure proper contact with the truck socket pins.
- Virtually indestructible polyurethane plug shell, color coded to match Scully truck sockets.
- Compression strain relief spring prevents the cable from bending or crimping.
- Heavy-duty petroleum resistant cable with higher visibility and cold weather flexibility.



Sculcon Junction Box



Scully Loading Rack Plug

Approvals: These devices are part of an intrinsically safe system certified by FM and BASEEFA.

scully

MaxSafety®
SYSTEMS

Scully Signal Company / Tel. 617 692 8600 / Fax. 617 692 8620 / 800 2 SCULLY(272 8559)
70 Industrial Way, Wilmington, MA 01887-3479, USA / sales@scully.com / www.scully.com

60614 Rev E